



Moisture  
Management  
for Masonry

Your reputation. Your legacy. Our mission.

## Product Submittal Sheet

### LathNet™ FHA-7 Weep Sill Screed

#### Description

For hard-coat stucco, thin-veneer stone and 1-coat stucco over foam. Installed at the juncture of the sill and the exterior concrete foundation, to allow trapped moisture or water to drain to the exterior of the building. The #7 style screed is manufactured in compliance with ASTM standards and has the minimum requirement of 26 gauge G60 galvanized steel and a 3-1/2" solid nailing flange. Pure zinc alloy (ASTM B-69) is available upon request and priced accordingly.

#### Product Data & Ordering Information

**Material:** 26 Gauge, G-60 Hot-Dipped Galvanized Steel.  
(Pure Zinc Alloy available upon request and priced accordingly.)

**Dimensions:** Nominal 3-1/2" Flange x 10' Lengths

Product Code	Ground	Flange	Length	Pcs./Bdl.	Pcs./Pallet
FHA7	7/8"	3-1/2"	10'	10	500

#### ASTM & Code Standards:

- ASTM C841 (interior), C1063, CE 240.01 (exterior), ASTM C926, UBC, ML/SFA-920, the International Code Council IBC and IRC.
- All Expanded Metal Lath Accessories are fabricated from prime galvanized steel G60 zinc coating by the hot dipped method, conforming to steel and coating specification ASTMA-653/A-653M or zinc alloy meeting ASTM B-69 as required in ASTM C1063 and C847.
- SDS & Product Certification Information is available at [www.clarkdietrich.com/SupportDocs](http://www.clarkdietrich.com/SupportDocs)
- For installation and placement instructions refer to ASTM C1063, C841 and C926.
- Intertek CCRR-0204

#### Storage:

All stored materials shall be kept dry. Materials shall be stacked off the ground, supported on a level platform, and protected from the weather and surface contamination conforming to ASTM C1063.

#### Limitations:

Galvanized steel products should not be used with magnesium oxychloride cement stucco or portland cement stucco containing calcium chloride additives. The selection of the appropriate type of material for accessories shall be determined by the surrounding climatic and environmental conditions such as salt air, industrial pollution and high humidity.

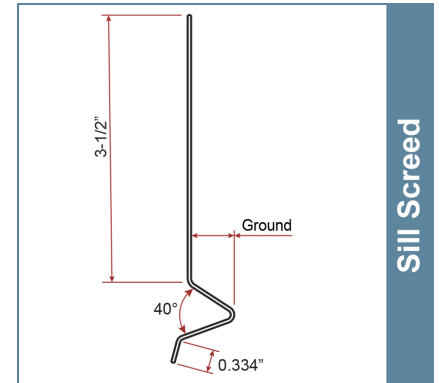
#### Related Accessories:

- #2A-Reinforced Flange Expanded Corner Bead
- Cornerite - Used as a plaster reinforcement on inside corners

#### Substitutions

No substitutions permitted.

LN-43801



**Specification Title:** \_\_\_\_\_

Project: \_\_\_\_\_ Date: \_\_\_\_\_

Firm: \_\_\_\_\_ Phone: \_\_\_\_\_

Approval: \_\_\_\_\_ Date: \_\_\_\_\_

General Contractor: \_\_\_\_\_

Bid Date: \_\_\_\_\_

Comments: \_\_\_\_\_