

SINGLE-WYTHE MASONRY LINTEL

CMU

DRAINAGE MAT (PLACE IN OPEN
CELL DIRECTLY ABOVE
BlockFlash PAN)

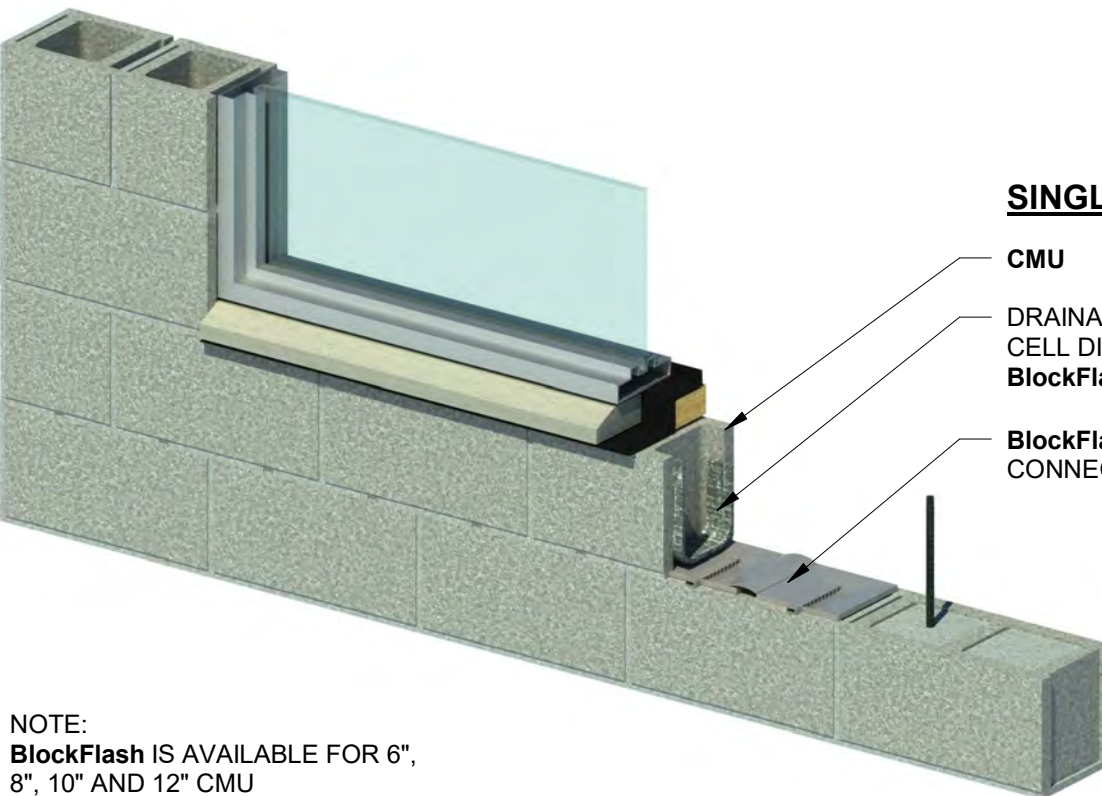
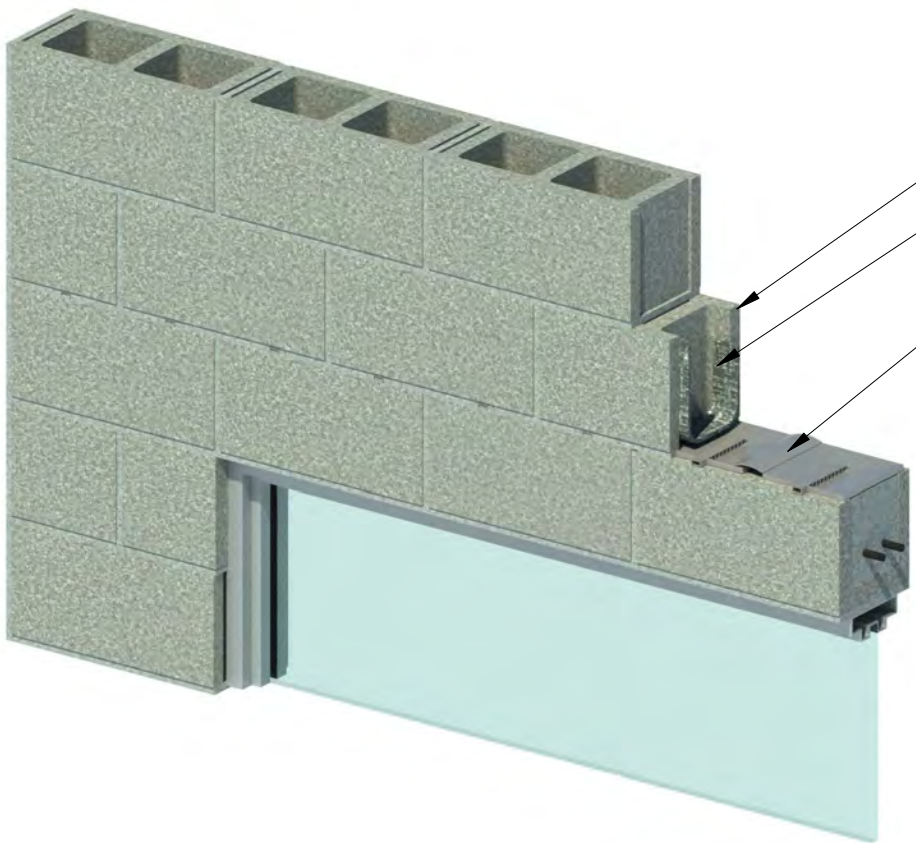
BlockFlash WITH
CONNECTION BRIDGE

SINGLE-WYTHE SILL

CMU

DRAINAGE MAT (PLACE IN OPEN
CELL DIRECTLY ABOVE
BlockFlash PAN)

BlockFlash WITH
CONNECTION BRIDGE



NOTE:
BlockFlash IS AVAILABLE FOR 6",
8", 10" AND 12" CMU



Moisture
Management
for Masonry

6575 Daniel Burnham Dr., Suite G, Portage, Indiana 46368
P 800 664 6638 F 219 787 5088
www.mortarnet.com

 **BlockFlash**

WINDOW HEAD AND SILL DETAIL