

**SINGLE-WYTHE
MASONRY LINTEL**

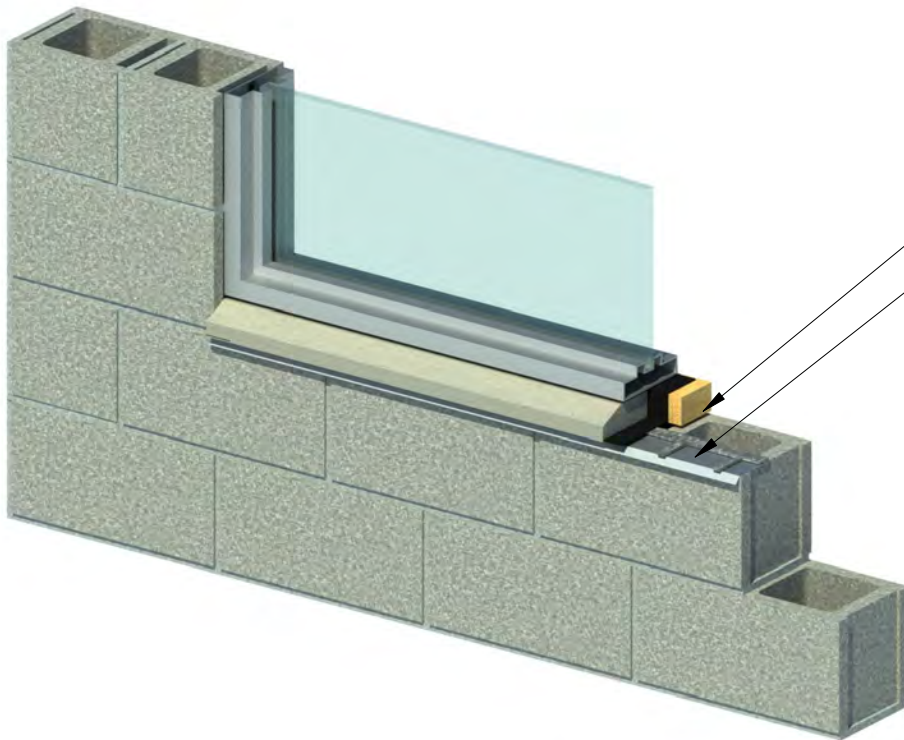
CMU

7" X 7" MESH SLEEVE

BlockNet

- REAR WATER DAM
- FACTORY-ATTACHED MESH
- WEEP TABS
- DRIP EDGE, 26 GAUGE STAINLESS STEEL

REMOVABLE WEEP TAB ENDS PREVENT TABS FROM CLOGGING WHEN JOINTS ARE STRUCK, KEEP TABS FLUSH WITH THE WALL AND CREATE A SMOOTH APPEARANCE



SINGLE-WYTHE SILL

CMU

BlockNet

- REAR WATER DAM
- FACTORY-ATTACHED MESH
- WEEP TABS
- DRIP EDGE, 26 GAUGE STAINLESS STEEL



Moisture
Management
for Masonry

6575 Daniel Burnham Dr., Suite G, Portage, Indiana 46368
P 800 664 6638 F 219 787 5088
www.mortarnet.com



WINDOW HEAD AND SILL DETAIL